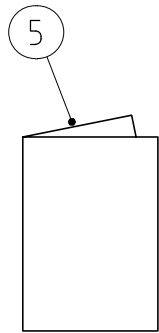
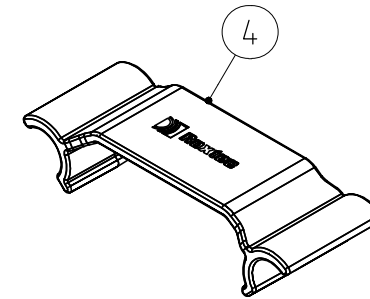
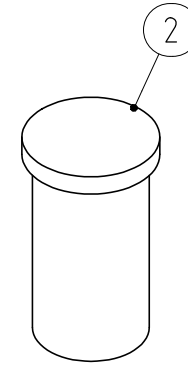
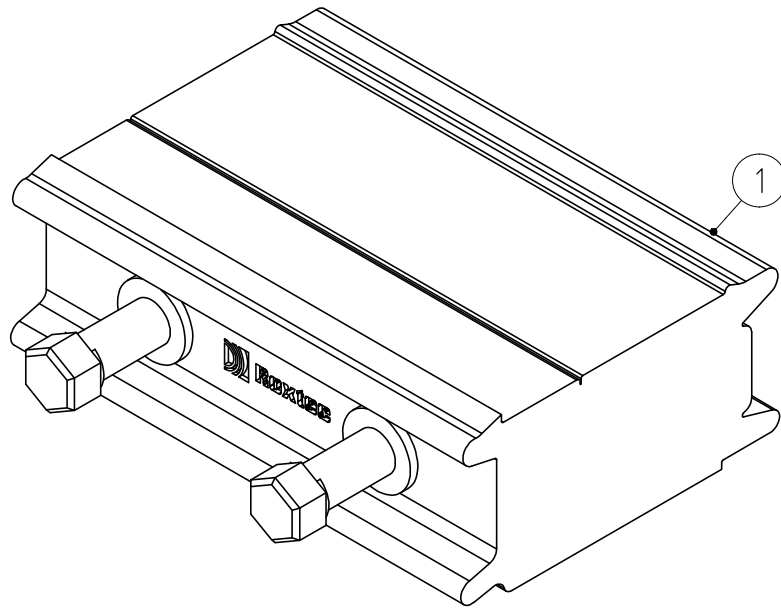


烙克塞克保留所有权利。未经授权严禁复制、使用以及向第三方泄漏。

All rights reserved. Unauthorized reproduction, use or disclosure to third parties is strictly forbidden.



NOTE:
ROXTEC WEDGE KIT IS AVAILABLE IN BOTH
GALVANIZED AND STAINLESS STEEL

Item	Qty	Designation	Specification	Net Weight
5	1	INST. INSTRUCTION		
4	1	WEDGECLIP	PLASTIC	
3	5	STAYPLATE	GALVANIZED / ACID PROOF ST. STEEL	
2	1	LUBRICANT	TALLOW 25ML	
1	1	WEDGE 120	GALVANIZED / ACID PROOF ST. STEEL	

General Tolerance	Welded details	General surface roughness, Ra	Designed by	Created Date	Latest save date	Format	Scale	Sheet no	Net Weight
ISO 2768-1/2-m/K	EN ISO 5817-B	EN ISO 10042-B	se-magper	2000-02-14	2016-10-20	A3	1:1		-
			Title		Projection method				
			WEDGE 120		First angle				
			WEDGE KIT		Restricted due to				
			www.roxtec.com		Drawing number				
			Information drawing		S1000716				
					Rev				
					D				

Rev	Type of revision	Date	Sign
D	ACID PROOF ADDED IN TABLE	2016-10-20	se-jenboh